

CP series INCLINED LIQUID COLUMN MANOMETERS

Pressure / Depression

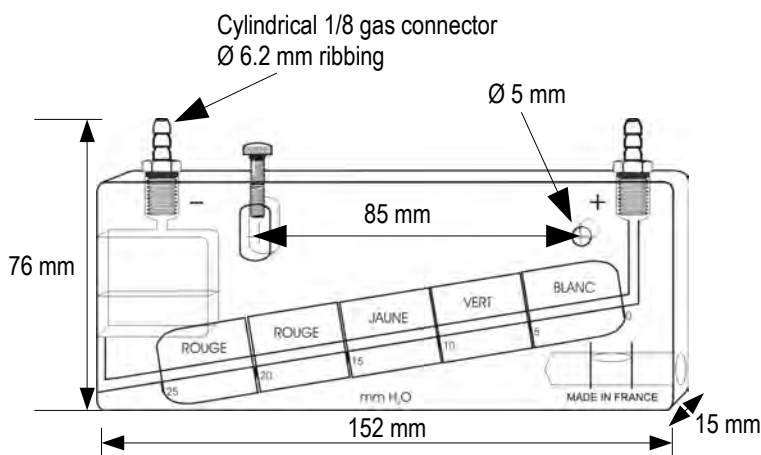


KEY POINTS

The CP 25 inclined liquid column manometer, developed and manufactured by KIMO measures slight variations in pressure, depression or differential pressure of air or gas. It is specially designed for checking clogging of filters in painting booths.

- Graduation scale via coloured zones for fast and easy reading
- Safety reservoir enabling momentaneous overshooting of the scale
- Supplied with two 487 connectors and a bottle of AWS 10 liquid

DIMENSIONS



MEASURING RANGE

0 – 25 mm CE

SNESTIVITY SCALE
for 1 mm CE

5 mm

TECHNICAL FEATURES

Recommended range of use	From +5 to +30°C
Possible range of use	From -30 to +60°C
Maximum static pressure	6 bars
Manometer body	Transparent 15 mm thick Altuglas.
Liquid column	Entirely bored in the solid block, Ø 4 mm.
Graduation	Directly silk-screened onto the rear face with different colour zones : <i>from 0 to 5 mm CE : white</i> <i>from 5 to 10 mm CE : green</i> <i>from 10 to 15 mm CE : yellow</i> <i>from 15 to 25 mm CE : red (Variations possible on request).</i>
Positioning	Horizontal positioning via integrated spirit level and milled, nickel-plated brass adjusting screw, vertical travel 12 mm
Manometric liquid	AWS 10 red oil - density 0.87 at 15°C.
Reservoir capacity	20 ml
Connection	Ø 5x8 mm semi-rigid crystal tube, on Ø 6.2 mm ribbed, nickel-plated brass connectors, 1/8 gas thread.
Wall-mounted	With or without white PVC support

MOUNTING

1. **Mount** on a wall or a vertical partition wall with two maximum **Ø 5 x 25 mm** screws (supplied).
2. **Set horizontality** using the integrated level and the milled adjusting screw.
3. **Unscrew** the connector on the reservoir and **slowly pour the manometric liquid** to zero point on the graduation.
4. **Remount** the connector without overtightening.
5. **Connect** the manometer with the **Ø 5 X 8 mm** crystal tube to the pressure or depression source to be checked.

NOTES :

- For a **pressure** measurement.....Connect the crystal tube to the **right-hand connector (+)**
For a **depression** measurement.....Connect the crystal tube to the **left-hand connector (-)**
For a **differential pressure**.....Connect the highest pressure to the **right-hand connector (+)** and the lowest pressure to the **left hand connector (-)**

MAINTENANCE :

The CP 25 manometer requires no special maintenance other than simply changing the reading liquid once a year.

www.kimo.fr



EXPORT DEPARTMENT

Tel : + 33. 1. 60. 06. 69. 25 - Fax : + 33. 1. 60. 06. 69. 29

e-mail : export@kimo.fr

Distributed by :

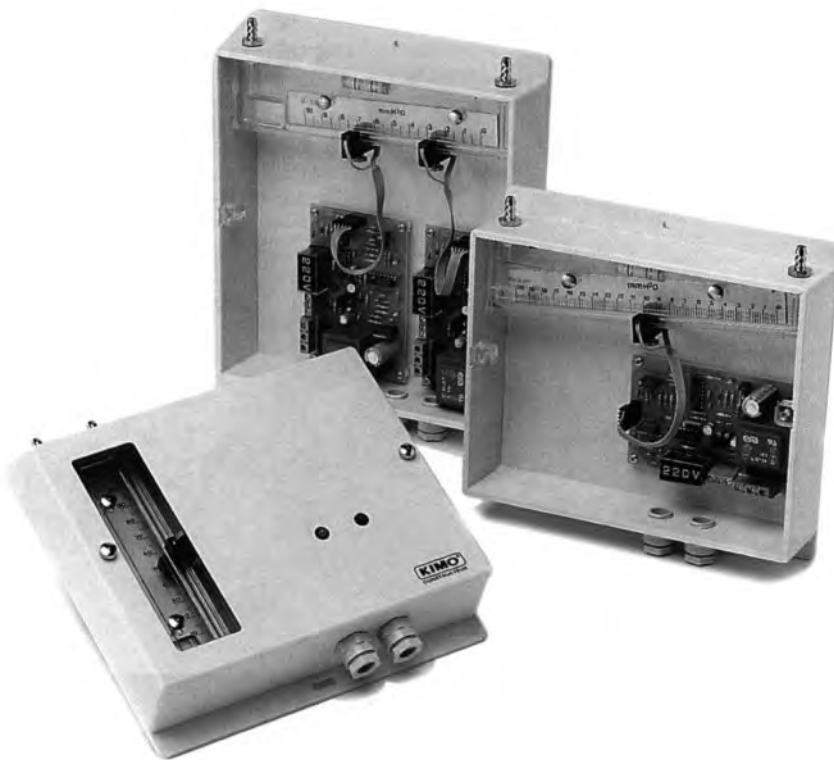
زیست تجهیز پویش
(سهامی خاص)



آدرس: تهران، خ مطهری، خ فجر، ک افشار، پ ۱۶، ط ۱
تلفن: ۸۸۸۲۷۷۲۳ - ۸۸۸۲۶۸۷۵ - فکس: ۸۸۸۲۶۷۹۱
پست الکترونیکی: info@PooyeshEnviro.ir

ECM

Electric contact pressure controllers



KIMO has designed and manufactured the ECM electric contact pressure controller to combine the inherent reliability and accuracy of the liquid column manometer with electronic switching.

The operating principle gives unrivalled performance when compared to traditional pressure controllers.

The KIMO ECM electric contact pressure controllers excel where it is necessary to monitor small variations in low pressures of air or gas and where accurate and reliable monitoring is essential.

The ECM is widely used in pharmaceutical laboratories, clean rooms and other areas where good performance is essential.

- Positive, negative and differential pressure measurement, with the option of 1, 2 or multiple electric contacts on the same scale.
- Electric contacts from 0,5 mm H₂O (5 Pa).
- Delay adjustable from 0 to 45 seconds.
- Contact rating : 3A at 230 V. - 50 Hz.
- Operation of the contact on rising or falling pressure, by using the inverter function.
- Simple pressure setting by cursor on graduated scale.
- Max. static pressure of 6 bar, when used on differential pressure.
- Pressure and switching points continuously displayed.
- Switch position indicated by LED.

Features available

Réf.	Scale in mm H2O	Scale length for 1 mm H2O	Liquid Ref. and density	Standard version	Minimum setting	Min. separation between 2 contacts
Inclined						
ECM 88	8-0-8	8 mm	AWS10 D = 0,87	1 or 2 contacts	< 0,10 mm CE	< 0,5 mm CE
ECM 20	0-20	8 mm	"	"	< 0,10 mm CE	< 0,5 mm CE
ECM 60	0-60	3 mm	"	"	< 0,50 mm CE	< 1,5 mm CE
Vertical						
ECM 150	0-150	1 mm	"	1 or 2 contacts	< 1 mm CE	< 4 mm CE
ECM 300	0-300	0,5 mm	"	1 or 2 contacts	< 2 mm CE	< 8 mm CE

Delivered empty in cardboard packing with appropriate manometer liquid, 2 screws, fixing bolts and operations for use.

Specification

- Operation : pressure (+), vacuum(-), differential pressure (ΔP).
- Scale : vertical or inclined.
- Manometer : transparent altuglass M.70, thickness 15 mm.
- Liquid column drilled \varnothing 4 mm.
- Scale : transparent altuglas M.70, section 20 x 2 mm.
- Graduation : black printing.
- Zero Ajustment by moving the graduated scale, up to 10 mm, clamping by nickeled brass thumb screw.
- Integral spirit level for horizontal setting.
- Manometric liquid : AWS.10, density 0,87 red or Volt 1S, density 1,86 blue depending on the model.
- Connection : clear tube \varnothing 5 x 8 mm on nickeled brass serrated connections or direct on the instrument, threading 1/8 gas.
- Maximal static pressure : 6 bars.
- Reading accuracy : ± 1 % of the inclined scale ; $\pm 0,5$ % of the vertical scale.

● UF 313-1 AMPLIFIER :

- Power supply: 230 Vac, 110 Vac, 24 Vdc or 24 Vac.
- Relay outputs : inverter electrical contact R.T. 3A/230V \sim 50 Hz.
- Consumption : 50 mA.
- Indicating light : red LED which indicates the relay contact position. Switch-on = Lit
- Micro-switch : Inverter switch for inverter function (see operating).
- Delay : potentiometer (one rotation), setting from 0 to 45 seconds.
- Sensitivity : potentiometer (one rotation) permits adjustment of photo electric sensor for different manometer liquids.
- Limit operating temperature : - 5 to + 50°C.
- Electrical connection : screw terminals and gland CM6P, cover PE7.
- Dimension : 110 x 70 mm. Weight : 140 g.

● PHOTO-ELECTRICAL CURSOR :

- Optical signaling mechanism : photo-electric transmitter-receiver connected to : the amplifier by optical fiber.
- Transmitter : infra-red light.
- Not sensitive to other light sources.
- Size : altuglas dim. 30 x 15, length 10 mm.
- Setting : by location on the graduated scale.
Knurled locking screw in nickled brass.
- Red mark on the altuglass cursor, for adjustment of the switching point or of reset point.

● HOUSING :

- PS shock, ral. 9002, colour : sand..
- Cover : cover front retained by two nickled brass knurled screws.
- Viewing window : transparent altuglas M.70.
- Fixing : wall mounting by 2 screws. \varnothing 4 or 5 mm.

Operation

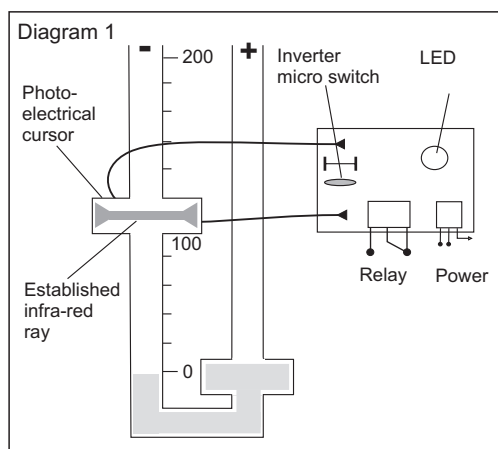
The ECM can be fitted to a vertical or inclined manometer. The photo electric sensor is connected to a PCB by an optical fibre. When energised the PCB generates an infra-red ray which travels along the optic fibre and through the manometer liquid column. The PCB senses when the liquid column breaks the infra-red ray and operates the switch either making or breaking the contact depending on how it is set.

The ECM can operate on rising or falling pressure by changing the position of the "inverter switch" on the PCB.

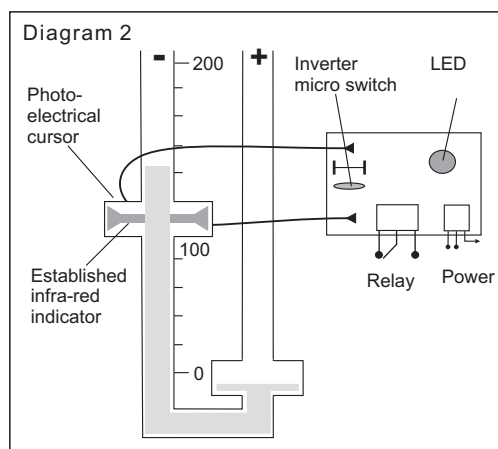
Diagrams 1 and 2 show the operation principle. The switch operates when the pressure rises and the manometer liquid breaks the infra-red ray at 100 mm H₂O also lighting the LED.

When the inverter microswitch is operated (diagram 2) the switch operates when the pressure falls and the infra-red ray is re-established at 100 mm H₂O.

The changeover relay enables the power to be switched on or off with a delay of up to 45 seconds. Multiple units can be fitted to one manometer column to perform different functions.

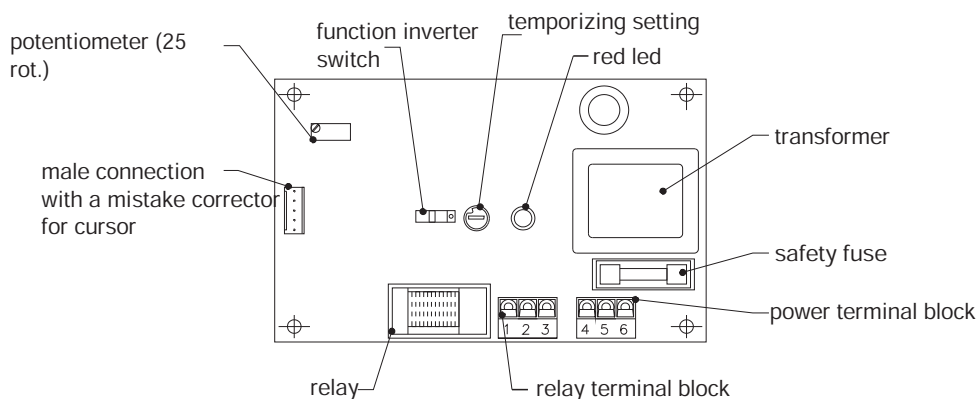


- Manometer to zero.
- Powered PCB.
- "Inverter" micro-switch .
- Established infra-red ray.
- LED - off.
- Broken "relay contact"



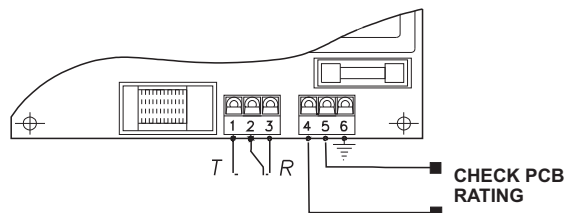
- Manometer pressurised.
- Infra-red ray cut off.
- LED - on.
- Made "relay contacts"

Connection



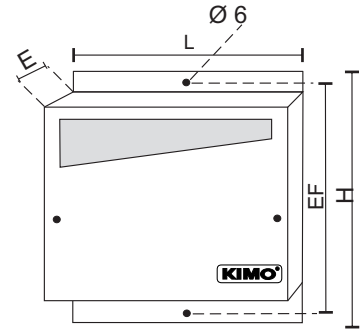
In 24 Vdc	In 24 Vac	In 230 Vac / 115 Vac
4 : +	4 : Connection	4 : phase
5 : -	5 : Connection	5 : neutral
6 : NC	6 : NC	6 : earth

- 1- NC
- 2- Common :220 V/3A
- 3- NO
- 4- Card power.
- 5- Card power.
- 6- Earth.



Dimensions

Réf.	Version 1 contact - V1			Version 2 contacts - V2		
	Dimension in mm : H x W x T	Weight en g.	Fixing center EF in mm	Dimension in mm : H x W x T	Weight in g.	Fixing center EF in mm
Inclined						
ECM 88	195 x 204 x 75	820	180	248 x 204 x 75	1080	233
ECM 20	195 x 204 x 75	820	"	248 x 204 x 75	1080	"
ECM 60	248 x 204 x 75	1005	233	248 x 204 x 75	1150	"
Vertical						
ECM 150	248 x 204 x 75	1015	233	248 x 204 X 75	1165	233
ECM 300	248 x 204 x 75	1030	233	248 x 204 x 75	1180	233



Accessories

- ECM electronic card : Power supply 24, 48, 110 or 230 V.
- Detection cursor for ECM.
- Connections with security valve type 509.
- Buzzer ECM : 75 dB power-sound buzzer.

Special applications

KIMO can make to order, all types of electric contact pressure controllers of the "photo-electric cursor with relay contacts" type with 3, 4, 5 contacts or more.

Different contacts, scales, and other densities possible.

Special designs for detecting high levels in vats.

ECM can be supplied without cover, and can be mounted on a support to be installed safety housings.

**We have the instrument you need.
Consult us.**

Service

The ECM do as not need any particular service. We simply recommend that the indicator liquid is changed every year, to ensure the photo electric cell work properly.

www.kimo.fr



EXPORT DEPARTMENT

Tel : + 33. 1. 60. 06. 69. 25 - Fax : + 33. 1. 60. 06. 69. 29

e-mail : export@kimo.fr

Distributed by :

زیست تجهیز پویش
(سهام فاخر)

آدرس: تهران، خ مطهری، خ فجر، ک افشار، ب ۱۶، ط ۱
تلفن: ۸۸۸۲۷۷۳۳ - ۸۸۸۲۶۸۷۵ - فکس: ۸۸۸۲۶۷۹۱
پست الکترونیکی: info@PooyeshEnviro.ir

HP series INCLINED LIQUID COLUMN MANOMETERS

Pressure / Depression

The HP range of inclined liquid column manometers, developed and manufactured by KIMO, measure slight variations in pressure, depression or differential pressure of air or gas. They are particularly recommended for measuring overpressures in clean rooms, operating blocks, laboratories, aseptic rooms, laminar flows....



KEY POINTS

- High measurement sensitivity
- Very low pressure ranges
- Zero adjustment by moving the slide strip.
- Integrated spirit level for adjusting horizontality.
- Supplied with a white PVC support, 2 screws and 2 rawplugs, two 487 connectors and a bottle of AWS 10 liquid.

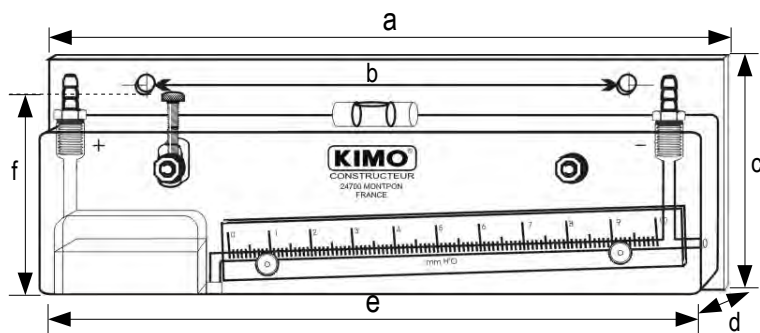
MEASURING RANGE

Reference	Measuring range		Sensitivity scale for 1 mm CE or 10 PA	Resolution
	mm CE	Pascal		
HP 5	0 – 5	0 – 50	20 mm	0,1 mm CE or 1 Pa
HP 10	0 – 10	0 – 100	15 mm	0,1 mm CE or 1 Pa
HP 15	0 – 15	0 – 150	10 mm	0,1 mm CE or 1 Pa

TECHNICAL FEATURES

Recommended range of use	From +5 to +30°C
Possible range of use	From -30 to +60°C
Maximum static pressure	6 bars
Manometer body	Transparent 20 mm thick Altuglas.
Liquid column	Entirely bored in the solid block, Ø 4 mm.
Graduated slide strip	Transparent Altuglas. Cross-section 20 x 2 mm.
Zero adjustment	By moving the graduated slide strip, travel 12 mm Fixed in place via milled, nickel-plated brass screw.
Positioning	Horizontal positioning via integrated spirit level and milled, nickel-plated brass adjusting screw, vertical travel 12 mm.
Manometric liquid	AWS 10 red oil, density 0.87 at 15°C.
Reservoir capacity	20 ml
Connection	Ø 5x8 mm semi-rigid crystal tube, on Ø 6.2 mm ribbed, nickel-plated brass connectors, 1/8 gas thread.
Wall-mounted	With or without white PVC support.

DIMENSIONS



Reference	HP 5	HP 10	HP 15
a	184 mm	234 mm	234 mm
b	116 mm	166 mm	166 mm
c	80 mm	80 mm	80 mm
d	30 mm	30 mm	30 mm
e	180 mm	230 mm	230 mm
f	71 mm	71 mm	71 mm
Weight	340 g	430 g	430 g

MOUNTING

1. **Mount** on a wall or a vertical partition wall with two maximum Ø 5 x 25 mm screws (supplied).
2. **Set horizontality** using the integrated level and the milled adjusting screw.
3. **Unscrew** the connector on the reservoir and **slowly pour the manometric liquid** to zero point on the graduation.
4. **Remount** the connector without overtightening.
5. **Connect** the manometer with the Ø 5 X 8 mm crystal tube to the pressure or depression source to be checked.

NOTES :

- For a **pressure** measurement.....Connect the crystal tube to the **right-hand connector (+)**
 For a **depression** measurement.....Connect the crystal tube to the **left-hand connector (-)**
 For a **differential pressure**.....Connect the highest pressure to the **right-hand connector (+)** and the lowest pressure to the **left hand connector (-)**

MAINTENANCE :

HP manometers require no special maintenance other than simply changing the reading liquid once a year.

www.kimo.fr

Distributed by :



EXPORT DEPARTMENT
 Tel : + 33. 1. 60. 06. 69. 25 - Fax : + 33. 1. 60. 06. 69. 29
 e-mail : export@kimo.fr

زیست تجهیز پویش

(سهامی خاص)

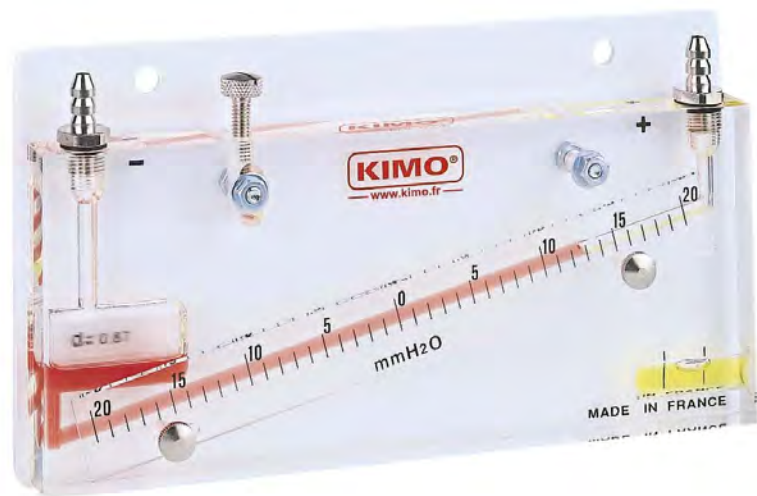


آدرس: تهران، خ مطهری، خ فجر، ک افشار، پ ۱۶، ط ۱
 تلفن: ۸۸۸۲۷۷۲۳ - ۸۸۸۲۶۸۷۵ - فکس: ۸۸۸۴۶۷۹۱
 پست الکترونیکی: info@PooyeshEnviro.ir

KX series INCLINED LIQUID COLUMN MANOMETERS

Pressure / Depression

The KX range of inclined liquid column manometers, developed and manufactured by KIMO, measure slight variations in pressure, depression or differential pressure of air or gas. They are for use in the following applications : treatment of air, ventilation, air conditioning, heating, dust elimination...



KEY POINTS

- Scale with centered zero.
- Possibility for measuring positive and negative pressures.
- Zero adjusting by moving the slide strip.
- Integrated spirit level for adjusting horizontality
- Supplied with a white PVC support, 2 screws and 2 rawplugs, two 487 connectors and a bottle of AWS 10 liquid.

MEASURING RANGE

Reference	Measuring range*		Sensitivity scale For 1 mm CE or 10 PA	Resolution
	mm CE	Pascal		
KX 205	25 – 0 – 25	250 – 0 – 250	3 mm	1 mm CE or 10 Pa
KX 404	40 – 0 – 40	400 – 0 – 400	2.5 mm	1 mm CE or 10 Pa

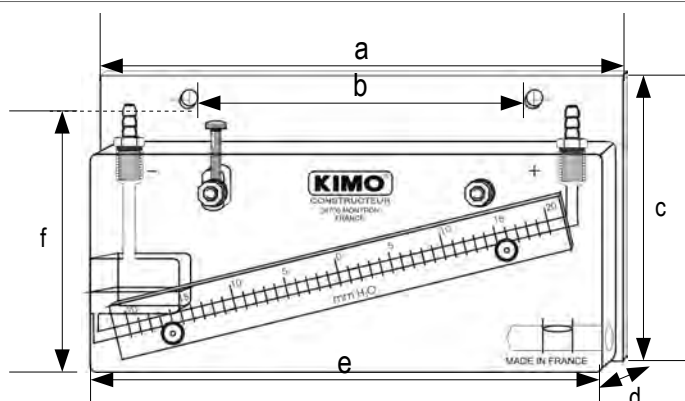
*Also exists in DaPa..

TECHNICAL FEATURES

Recommended range of use	From +5 to +30°C
Température d'utilisation possible	From -30 to +60°C
Maximum static pressure	6 bars
Manometer body	Transparent 15 mm thick Altuglas.
Liquid column	entirely bored in the solid block, Ø 4mm.
Graduated slide strip	Transparent Altuglas. Cross-section 20 x 2 mm.
Zero adjustment	By moving the graduated slide strip, travel 12 mm. Fixed in place via milled, nickel-plated brass screw.
Positioning	Horizontal positioning via integrated spirit level and milled, nickel-plated brass adjusting screw, vertical travel 12 mm.
Manometric liquid	AWS 10 red oil, density 0.87 at 15°C
Reservoir capacity	20 ml
Connection	Ø 5x8 mm semi-rigid crystal tube, on Ø 6.2 mm ribbed, nickel-plated brass connectors, 1/8 gas thread.
Wall-mounted	With or without white PVC support.

DIMENSIONS

Reference	KX 205	KX404
a	178 mm	219 mm
b	110 mm	151 mm
c	117 mm	154 mm
d	25 mm	25 mm
e	174 mm	215 mm
f	109 mm	129 mm
weight	420 g	660 g



MOUNTING

1. **Mount** the manometer on a wall or a vertical partition wall with two maximum **Ø 5 x 25 mm screws**.
2. **Set horizontality** by using the integrated level and the milled adjusting screw.
3. **Unscrew** the connector on the reservoir and **slowly pour the manometric liquid** to zero point on the graduation.
4. **Remount** the connector without overtightening.
5. **Connect** the manometer with the **Ø 5x8 mm** crystal tube to the pressure or depression source to be checked.

NOTE :

For a **pressure** measurement.....Connect the crystal tube to the **right-hand connector (+)**
 For a **depression** measurement.....Connect the crystal tube to the **left-hand connector (-)**
 For a **differential pressure**.....Connect the highest pressure to the **right-hand connector (+)** and the lowest pressure to the **left hand connector (-)**

MAINTENANCE :

KX manometers require no special maintenance other than simply changing the reading liquid once a year.

www.kimo.fr

Distributed by :



EXPORT DEPARTMENT
 Tel : + 33. 1. 60. 06. 69. 25 - Fax : + 33. 1. 60. 06. 69. 29
 e-mail : export@kimo.fr

زیست تجهیز پویش
(سهامی خاص)

آدرس: تهران، خ مطهری، خ فجر، ک افشار، پ ۱۶، ط ۱
 تلفن: ۸۸۲۷۷۲۳ - ۸۸۲۶۸۷۵ - فکس: ۸۸۲۶۷۹۱
 پست الکترونیکی: info@PooyeshEnviro.ir

MG series INCLINED LIQUID COLUMN MANOMETERS

Pressure / Depression

The MG range of inclined liquid column manometers, developed and manufactured by KIMO, measure slight variations in pressure, depression or differential pressure of air or gas. They are for use in the following applications : treatment of air, ventilation, air conditioning, heating, dust elimination...



KEY POINTS

- Zero adjustment by moving the slide strip
- Safety reservoir enabling momentaneous overshooting of the scale
- Integrated spirit level for adjusting horizontality
- Supplied with a white PVC support, two screws and two rawplugs, two 487 connectors and a bottle of AWS 10 liquid

MEASURING RANGE

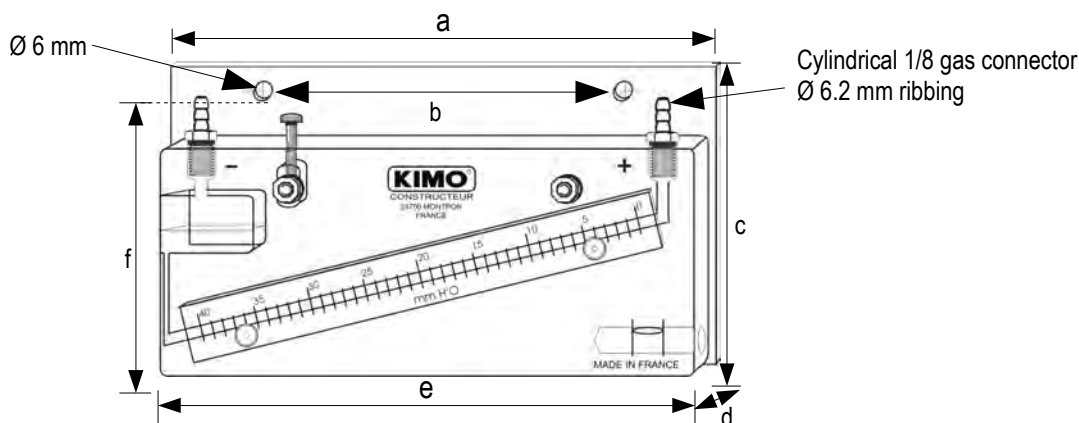
Reference	Measuring range*		Sensitivity scale For 1 mm CE or 10 PA	Resolution
	mm CE	Pascal		
MG 20	0 – 20	0 – 200	8 mm	0,5 mm CE or 5 Pa
MG 50	0 – 50	0 – 500	3 mm	1 mm CE or 10 Pa
MG 80	0 – 80	0 – 800	2.5 mm	1 mm CE or 10 Pa

* Also exists in DaPa

TECHNICAL FEATURES

Recommended range of use	From +5 to +30°C
Possible range of use	From -30 to +60°C
Maximum static pressure	6 bars
Manometer body	Transparent 15 mm thick Altuglas
Liquid column	Entirely bored in the solid block, Ø 4 mm
Graduated slide strip	Transparent Altuglas. Cross-section 20 X 2 mm
Zero adjustment	By moving the graduated slide strip, travel 20 mm. Fixed via milled, nickel-plated brass screw
Positioning	Horizontal positioning via integrated spirit level and milled, nickel-plated brass adjusting screw, vertical travel 12 mm.
Manometric liquid	AWS 10 red oil, density 0.87 at 15°C
Reservoir capacity	20 ml
Connection	Ø 5 X 8 mm semi-rigid crystal tube, on Ø 6,2 mm ribbed, nickel-plated brass connectors, 1/8 gas thread
Wall-mounted	With or without white PVC support

DIMENSIONS



Reference	MG 20	MG 50	MG 80
a	196 mm	178 mm	219 mm
b	128 mm	110 mm	151 mm
c	80 mm	117 mm	154 mm
d	25 mm	25 mm	25 mm
e	192 mm	174 mm	215 mm
f	55 mm	109 mm	129 mm
Weight	320 g	420 g	660 g

MOUNTING

1. **Mount** on a wall or a vertical partition wall with two maximum **Ø 5 x 25 mm** screws (supplied).
2. **Set horizontality** using the integrated level and the milled adjusting screw.
3. **Unscrew** the connector on the reservoir and **slowly pour the manometric liquid** to zero point on the graduation.
4. **Remount** the connector without overtightening.
5. **Connect** the manometer with the **Ø 5 X 8 mm** crystal tube to the pressure or depression source to be checked.

NOTE :
 For a **pressure** measurement.....Connect the crystal tube to the **right-hand connector (+)**
 For a **depression** measurement.....Connect the crystal tube to the **left-hand connector (-)**
 For a **differential pressure**.....Connect the highest pressure to the **right-hand connector (+)** and the lowest pressure to the **left hand connector (-)**

MAINTENANCE :

MG manometers require no special maintenance other than simply changing the reading liquid once a year.

www.kimo.fr

Distributed by :



EXPORT DEPARTMENT
 Tel : + 33. 1. 60. 06. 69. 25 - Fax : + 33. 1. 60. 06. 69. 29
 e-mail : export@kimo.fr

زیست تجهیز پویش
(سهامی خاص)

آدرس: تهران، خ مطهری، خ فجر، ک افشار، پ ۱۶، ط ۱
 تلفن: ۸۸۸۲۷۲۳۳ - ۸۸۸۲۶۸۷۵ فکس: ۸۸۸۲۶۷۹۱
 پست الکترونیکی: info@PooyeshEnviro.ir

MT40 INCLINED LIQUID COLUMN MANOMETERS

Pressure / Depression

The MT range of inclined liquid column portable manometers, developed and manufactured by KIMO, are particularly recommended for those in the heating trade for checking pressures in chimney flues, combustion chambers, filters...



KEY POINTS

- Easy to carry
- Safety reservoir enabling momentaneous overshooting of the scale
- Zero adjustment by moving the slide strip
- Integrated spirit level for adjusting horizontality.
- Equipped with valve connectors, magnetic fixations, support with base plate
- Can be used for measuring speeds with Pitot tube.
- Supplied with connecting sleeves, bottle of VOLT 1 S liquid and travelling case.

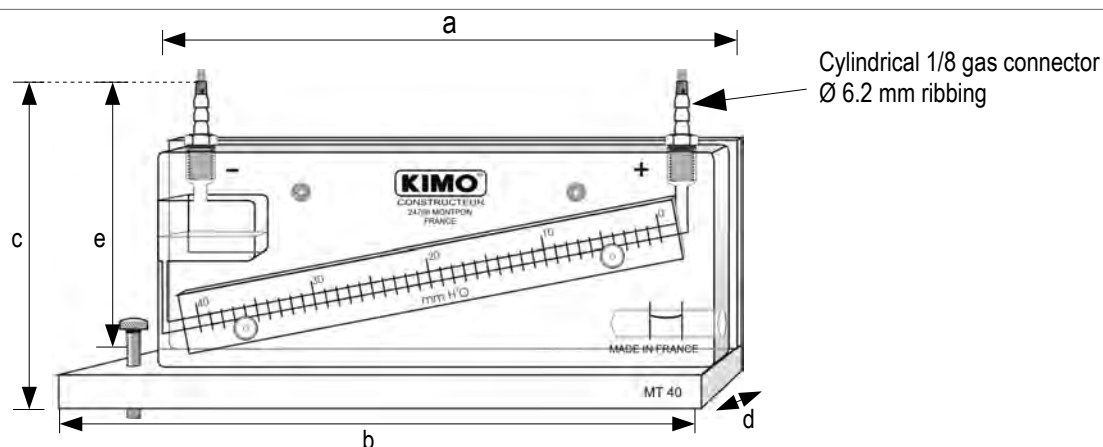
MEASURING RANGE

Reference	Measuring range (mm CE)	Sensitivity scale For 1 mm CE	Résolution
MT 40	0 – 40	4 mm	1 mm CE

TECHNICAL FEATURES

Recommended range of use	From +5 to +30°C
Possible range of use	From -30 to +60°C
Maximum static pressure	6 bars
Manometer body	Transparent 15 mm thick Altuglas
Liquid column	Entirely bored in the solid block, Ø 4 mm
Graduated slide strip	Transparent Altuglas. Cross-section 20 X 2 mm
Zero adjustment	By moving the graduated slide strip, travel 20 mm. Fixed via milled, nickel-plated brass screw
Positioning	Horizontal positioning via integrated spirit level and milled, nickel-plated brass adjusting screw, vertical travel 12 mm.
Manometric liquid	VOLT 1S oil - density 1.86 at 20°C.
Reservoir capacity	20 ml
Connection	on valve connectors in nickel-plated brass Ø 6.2 mm neoprene tubes with connecting sleeves.

DIMENSIONS



Reference	a	b	c	d	e	Weight
MT 40	193 mm	208 mm	93 mm	37 mm	80 mm	800 g

MOUNTING

1. **Place** the manometer on a horizontal surface or a vertical partition wall by using the magnetic fixations.
2. **Set** horizontality by using the integrated level and the milled adjusting screw.
3. **Unscrew** the connector on the reservoir and slacken the milled wheel on the other connector by one turn.
4. **Slowly pour** the manometric liquid to zero point on the graduation.
5. **Remount** the connector without overtightening.
6. **Connect** the manometer with the tube provided to the pressure or depression source to be checked.

NOTE :
 For a **pressure** measurement.....Connect the crystal tube to the **right-hand connector (+)**
 For a **depression** measurement.....Connect the crystal tube to the **left-hand connector (-)**
 For a **differential pressure**.....Connect the highest pressure to the **right-hand connector (+)** and the lowest pressure to the **left hand connector (-)**

MAINTENANCE :

MT40 manometer requires no special maintenance other than simply changing the reading liquid once a year.

www.kimo.fr

Distributed by :



EXPORT DEPARTMENT
 Tel : + 33. 1. 60. 06. 69. 25 - Fax : + 33. 1. 60. 06. 69. 29
 e-mail : export@kimo.fr

زیست تجهیز پویش

(سهامی خاص)



آدرس: تهران، خ مطهری، خ فجر، ک افشار، پ ۱۶، ط ۱
 تلفن: ۸۸۸۲۷۲۳ - ۸۸۸۲۶۸۷۵ - فکس: ۸۸۸۲۶۷۹۱
 پست الکترونیکی: info@PooyeshEnviro.ir

TX series INCLINED LIQUID COLUMN MANOMETERS



The TX range of inclined liquid column manometers, developed and manufactured by KIMO, measure slight variations in pressure, depression or differential pressure. They are particularly recommended for measuring overpressures and depressions in clean rooms, operating blocks, laboratories, aseptic rooms, laminar flows...

KEY POINTS

- Scale with centered zero
- Possibility for measuring positive and negative pressures
- High measurement sensitivity
- Very low pressure ranges
- Zero adjusting by moving the slide strip
- Integrated spirit level for adjusting horizontality
- Supplied with a white PVC support, 2 screws and 2 rawplugs, two 487 connectors and a bottle of AWS 10 liquid.

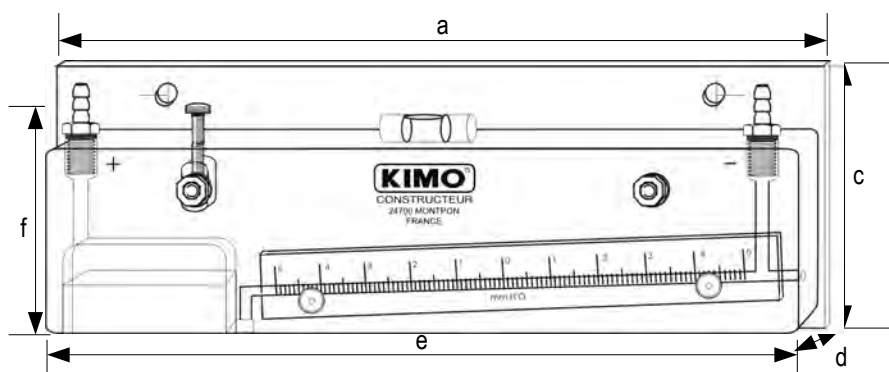
MEASURING RANGE

Reference	Measuring range		Sensitivity scale For 1 mm CE or 10 PA	Resolution
	mm CE	Pascal		
TX 25	2.5 – 0 – 2,5	25 – 0 – 25	20 mm	0.1 mm CE or 1 Pa
TX 50	5 – 0 – 5	50 – 0 – 50	15 mm	0.1 mm CE or 1 Pa
TX 75	7.5 – 0 – 7.5	75 – 0 – 75	10 mm	0.1 mm CE or 1 Pa

TECHNICAL FEATURES

Recommended range of use	From +5 to +30°C
Possible range of use	From -30 to +60°C
Maximum static pressure	6 bars
Manometer body	Transparent 20 mm thick Altuglas
Liquid column	Entirely bored in the solid block, Ø 4mm.
Graduated slide strip	Transparent Altuglas. Cross-section 20 x 2 mm
Zero adjustment	By moving the graduated slide strip, travel 12 mm. Fixed in place via milled, nickel-plated brass screw.
Positioning	Horizontal positioning via integrated spirit level and milled, nickel-plated brass adjusting screw, vertical travel 12 mm.
Manometric liquid	AWS 10 red oil, density 0.87 at 15°C.
Reservoir capacity	20 ml
Connection	Connection : Ø 5x8 mm semi-rigid crystal tube, on Ø 6.2 mm ribbed, nickel-plated brass connectors, 1/8 gas thread
Wall-mounted	With or without white PVC support.

DIMENSIONS



Référence	TX 25	TX 50	TX 75
a	184 mm	234 mm	234 mm
b	116 mm	166 mm	166 mm
c	80 mm	80 mm	80 mm
d	30 mm	30 mm	30 mm
e	180 mm	230 mm	230 mm
f	71 mm	71 mm	71 mm
poids	340 g	430 g	430 g

MOUNTING

1. **Mount** the manometer on a wall or a vertical partition wall with two maximum Ø 5 x 25 mm screws.
2. **Set horizontality** by using the integrated level and the milled adjusting screw.
3. **Unscrew** the connector on the reservoir and **slowly pour the manometric liquid** to zero point on the graduation.
4. **Remount** the connector without overtightening.
5. **Connect** the manometer with the Ø 5x8 mm crystal tube to the pressure or depression source to be checked.

NOTE :

- For a **pressure** measurement.....Connect the crystal tube to the **right-hand connector (+)**
 For a **depression** measurement.....Connect the crystal tube to the **left-hand connector (-)**
 For a **differential pressure**.....Connect the highest pressure to the **right-hand connector (+)** and the lowest pressure to the **left hand connector (-)**

MAINTENANCE :

TX manometers require no special maintenance other than simply changing the reading liquid once a year.

www.kimo.fr

Distributed by :



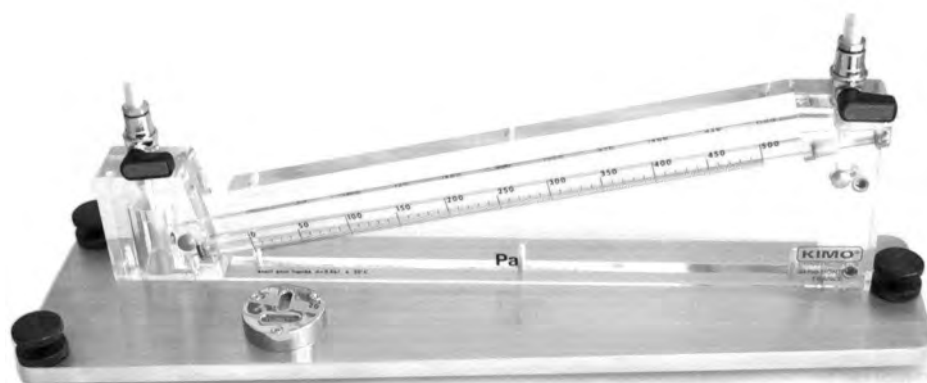
EXPORT DEPARTMENT
 Tel : + 33. 1. 60. 06. 69. 25 - Fax : + 33. 1. 60. 06. 69. 29
 e-mail : export@kimo.fr

زیست تجهیز پویش
 (سهامی خاص)

آدرس: تهران، خ مطهری، خ فجر، ک افشار، پ ۱۶، ط ۱
 تلفن: ۸۸۸۲۶۸۷۵ - ۸۸۸۲۷۷۲۳ - فکس: ۸۸۸۲۶۷۹۱
 پست الکترونیکی: info@PooyeshEnviro.ir



LABORATORY INCLINED MANOMETERS TYPE LABO



The LABO inclined liquid column manometers, developed and manufactured by KIMO, is an essential instrument for measuring slight variations in pressure, vacuum, or differential pressure of air or gas. They permit a high measurement sensitivity on the whole scale.

These instruments are particularly recommended for measuring pressures in laboratories and for the calibrations of liquid column manometers, dial manometers or transmitter / controllers.

- **High measurement sensitivity.**
- **Zero adjustment by moving the scale.**
- **Manometer column in pyrex glass calibrated to 1/100.**
- **Integral spirit level for adjustment horizontality.**
- **Aluminium support with height adjustment.**
- **Supplied with aluminium transport case and calibration certificate.**

MEASUREMENT RANGE

REFERENCE	MEASUREMENT RANGE	RESOLUTION	ACCURACY
LABO 250	0-250 Pa	1 Pa	0,5 % on complete scale
LABO 500	0-500 Pa	2 Pa	0,5 % on complete scale
LABO 1000	0-1000 Pa	5 Pa	0,5 % on complete scale

CHARACTERISTICS

- Recommended range of use : +5 to 30°C.
- Possible range of use : -30 to +60°C.
- Maximum static pressure : 6 bars.
- Manometer body : transparent Altuglas.
- Liquid column : inclined in pyrex glass calibrated to 1/100.
- Graduated slide strip : transparent Altuglas. thickness 2 mm.
- Zero adjustment by moving the graduated slide scale, travel 9 mm. Secured by knurled, nickel-plated brass screw.
- Horizontal positioning by integral spirit level.
- Manometer liquid : AWS 10 red oil, density 0,867 at 20°C.
- Reservoir capacity : 20 ml.
- Connection : Ø 6,2 mm ribbed, nickel-plated brass connectors, 1/8 gas thread.
- Connection : Ø 5 x 8 mm semi-rigid clear tube.

DIMENSIONS

REFERENCE	Lenght	Width	Height
LABO 250	440 mm	120 mm	120 mm
LABO 500	430 mm	120 mm	150 mm
LABO 1000	600 mm	130 mm	250 mm

Cases dimensions :

MANO LABO 250 case: 500 x 170 x 170 mm
MANO LABO 500 case : 500 x 170 x 215 mm
MANO LABO 1000 case : 650 x 170 x 275 mm

MOUNTING

Set horizontally using the integral level and the knurled adjusting screw. Unscrew the connector on the reservoir and slowly pour the manometer liquid to the level of the zero point on the scale. Fit the connector without overtightening. Connect the manometer with the Ø 5 x 8 mm crystal tube to the pressure or vacuum source to be checked.

NOTE :

- For a pressure measurement : connect the crystal tube to the left-hand connector (+).
- For a vacuum measurement : connect the crystal tube to the right-hand connector (-).
- For a differential pressure measurement : Connect the highest pressure to the left-hand connector (+) and the lowest pressure to the right-hand connector (-).

MAINTENANCE : LABO manometers require no special maintenance other than simply changing the reading liquid once a year.

www.kimo.fr

EXPORT DEPARTMENT
Tel : + 33. 1. 60. 06. 69. 25 - Fax : + 33. 1. 60. 06. 69. 29
e-mail : export@kimo.fr



Distributed by :

زیست تجهیز پویش
(سهامی خاص)

آدرس: تهران، خ مطهری، خ فجر، ک افشار، پ ۱۶، ط ۱
تلفن: ۸۸۸۲۷۷۲۳ - ۸۸۸۲۶۸۷۵ - فکس: ۸۸۸۲۶۷۹۱
پست الکترونیکی: info@PooyeshEnviro.ir

VH series INCLINED LIQUID COLUMN MANOMETERS

Pressure / Depression

The VH range of inclined liquid column manometers, developed and manufactured by KIMO, measure slight variations in pressure, depression or differential pressure of air or gas. They are particularly recommended for checking clogging of filters in the ventilation and dust elimination industry.



KEY POINTS

- Horizontal V-shaped liquid column.
- Dual measuring range
- Different sensitivity on the two measuring ranges
- Zero adjustment via float
- Compact dimensions
- Integrated spirit level for adjusting horizontality
- Supplied with a white PVC support, 2 screws and 2 rawplugs, two 487 connectors and a bottle of AWS 10 liquid.

MEASURING RANGE

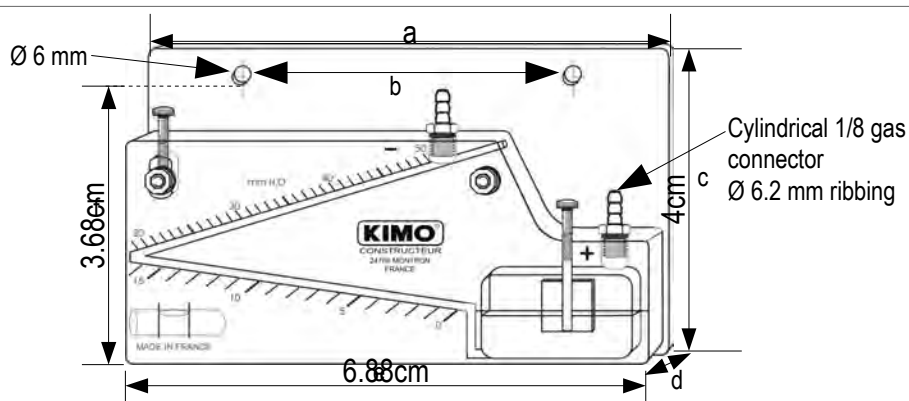
Reference	Measuring range						Sensitivity scale For 1 mm CE or 10 PA		Resolution 1 st and 2 nd column
	mm CE			Pascal			1 st column	2 nd column	
	Total	1 st column	2 nd column	Total	1 st column	2 nd column			
VH 50	0 – 50	0 – 16	19 – 50	0 – 500	0 – 160	190 – 500	7 mm	3.5 mm	1 mm CE or 10 Pa

The VH 50 also exists in DaPa.

TECHNICAL FEATURES

Recommended range of use	From +5 to +30°C
Possible range of use	From -30 to +60°C
Maximum static pressure	1 bar
Manometer body	Transparent 15 mm thick Altuglas.
Liquid column	Entirely bored in the solid block, Ø 4 mm.
Graduation	Directly silk-screened onto the rear face.
Zero adjustment	By moving the Altuglas float and the milled, nickel-plated brass screw, travel 10 mm.
Positioning	Horizontal positioning via integrated spirit level and milled, nickel-plated brass adjusting screw, vertical travel 12 mm.
Manometric liquid	AWS 10 red oil, density 0.87 at 15°C.
Reservoir capacity	20 ml
Connection	Ø 5x8 mm semi-rigid crystal tube, on Ø 6.2 mm ribbed, nickel-plated brass connectors, 1/8 gas thread.
Wall-mount	With or without white PVC support.

DIMENSIONS



Reference	VH 50
a	188 mm
b	120 mm
c	112 mm
d	25 mm
e	182 mm
f	101 mm
Weight	380 g

MOUNTING

- Mount** the manometer on a wall or a vertical partition wall with two maximum **Ø 5 screws**.
- Set horizontality** by using the integrated level and the milled adjusting screw.
- Unscrew** the connector on the reservoir and **slowly pour the manometric liquid** to zero point on the graduation.
- Remount** the connector without overtightening.
- Connect** the manometer with the **Ø 5x8 mm** crystal tube to the pressure or depression source to be checked.

NOTE :

- For a **pressure** measurement..... Connect the crystal tube to the **right-hand connector (+)**
 For a **depression** measurement..... Connect the crystal tube to the **left-hand connector (-)**
 For a **differential pressure**..... Connect the highest pressure to the **right-hand connector (+)** and the lowest pressure to the **left hand connector (-)**

MAINTENANCE :

VH manometers require no special maintenance other than simply changing the reading liquid once a year.

www.kimo.fr

Distributed by :



EXPORT DEPARTMENT
 Tel : + 33. 1. 60. 06. 69. 25 - Fax : + 33. 1. 60. 06. 69. 29
 e-mail : export@kimo.fr

زیست تجهیز پویش
(سهامی خاص)

آدرس: تهران، خ مطهری، خ فجر، ک افشار، پ ۱۶، ط ۱
 تلفن: ۸۸۸۲۷۷۲۳ - ۸۸۸۲۶۸۷۵ - فکس: ۸۸۸۲۶۷۹۱
 پست الکترونیکی: info@PooyeshEnviro.ir